



SPRING RETURN 6S1003A-L

SIZE 1"

3-WAY Stainless Steel, FULL PORT BALL VALVE WITH ELECTRIC ACTUATOR

230VAC

15 Sec. Open/Close

ACTUATOR

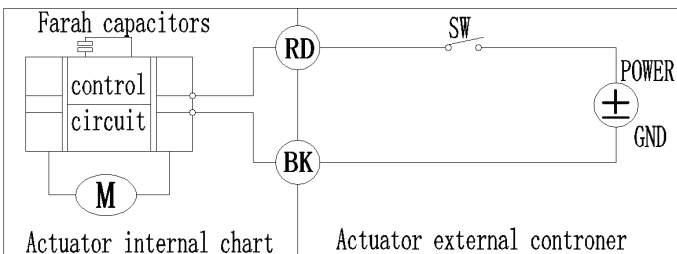
- NEMA 4, 4X Housing
- 12V/24V AC/DC and 100-240V AC Models Available
- High-Strength, Impact Resistant IP67 PPO Housing
- Comes standard with 19" cable

VALVE

- Brass
- Full Port, Sizes 1/2" to 1"
- Low torque design with spring return in case of power failure
- Energy efficient design reduces power consumption needs

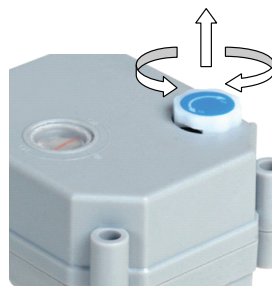
WIRING DIAGRAM

2 Wire control- Power Reset



- When SW is closed, the valve opens. The actuator automatically powers off after in place
 - When SW is open, the valve closes. The actuator automatically powers off after in place * Suitable
- Working Voltage: **AC/DC 9-24V, DC/AC 110V-230V** *
Exceeding the working voltage is forbidden

Manual override instructions:

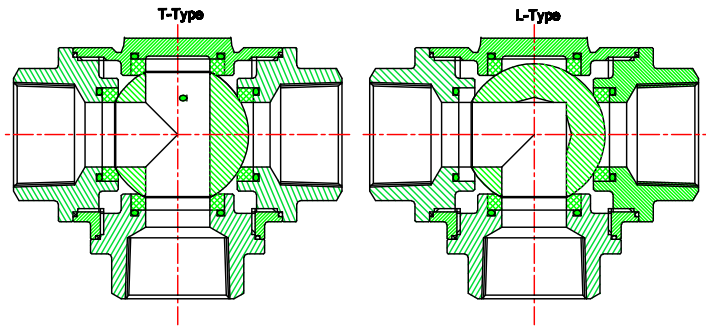
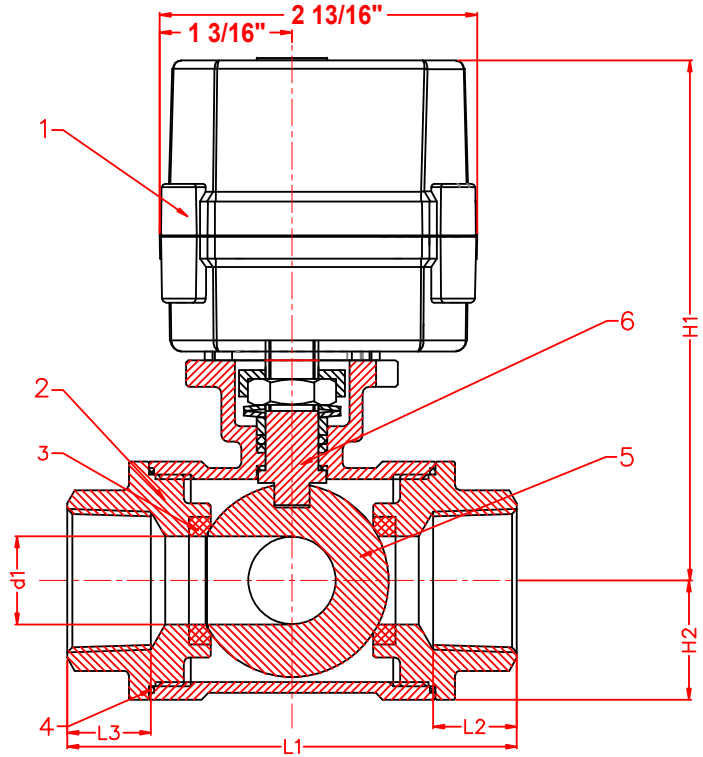
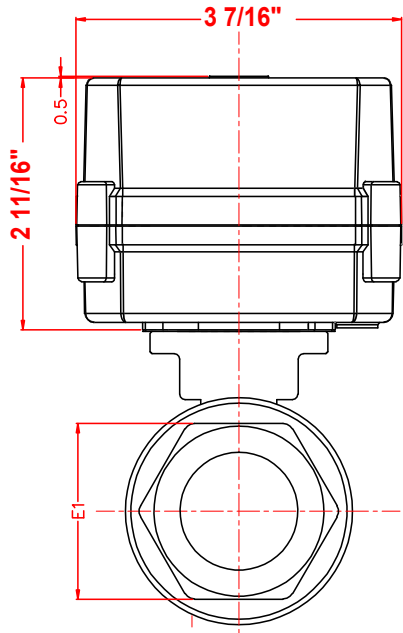


In case of an electric supply failure, it is possible to operate the actuator manually:

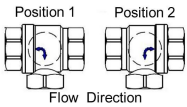
1. Power must be off before using the manual override.
2. Gently pull up the knob turning the knob left or right to open or close the valve.
3. When the red needle in the indicator points to S, the valve is closed. When pointing to O, the valve is open.
4. To resume normal operation the knob must be pushed down.

3 Way

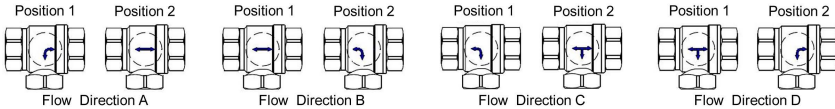
SIZES 1/2" THROUGH 1"



L port



T port



No.	NAME	Material	Specification	Quantity
6	Stem	stainless steel	304	1
5	Ball	stainless steel	304	1
4	Sealing	PTFE		2
3	Sealing	PTFE		1
2	Body Cover	stainless steel	304	1
1	Actuator	PPO		1

Size	D1/D2	d1	L1	L2/L3	E1	H1	H2
1/2"	1/2"	1/2"	2 11/16"	9/16"	15/16"	4 1/16"	11/16"
3/4"	3/4"	9/16"	2 15/16"	5/8"	1 1/4"	4 3/16"	13/16"
1"	1"	11/16"	3 3/8"	11/16"	1 1/2"	4 1/2"	15/16"