

## SPRING RETURN

# 8P1003A

## Size 1"

2-WAY PVC FULL PORT BALL VALVE WITH ELECTRIC ACTUATOR

**230VAC**

15 Sec. Open/Close



## ACTUATOR

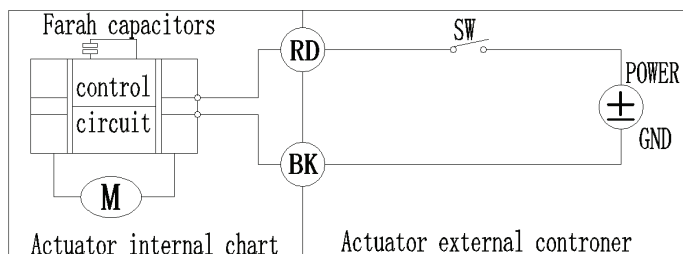
- NEMA 4, 4X Housing
- 12V/24V AC/DC and 100-240V AC Models Available
- High-Strength, Impact Resistant IP67 PPO Housing
- Comes standard with 19" cable

## VALVE

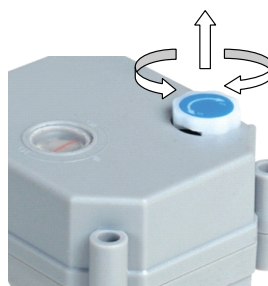
- PVC
- Full Port, Sizes 1/2" to 2"
- Low torque design with spring return in case of power failure
- Energy efficient design reduces power consumption needs

## WIRING DIAGRAM

2 Wire control- Power Reset



## Manual override instructions:



In case of an electric supply failure, it is possible to operate the actuator manually:

1. Power must be off before using the manual override.
2. Gently pull up the knob turning the knob left or right to open or close the valve.
3. When the red needle in the indicator points to S, the valve is closed. When pointing to 0, the valve is open.
4. To resume normal operation the knob must be pushed down.

• When SW is closed , the valve open. the actuator automatically power off after in place

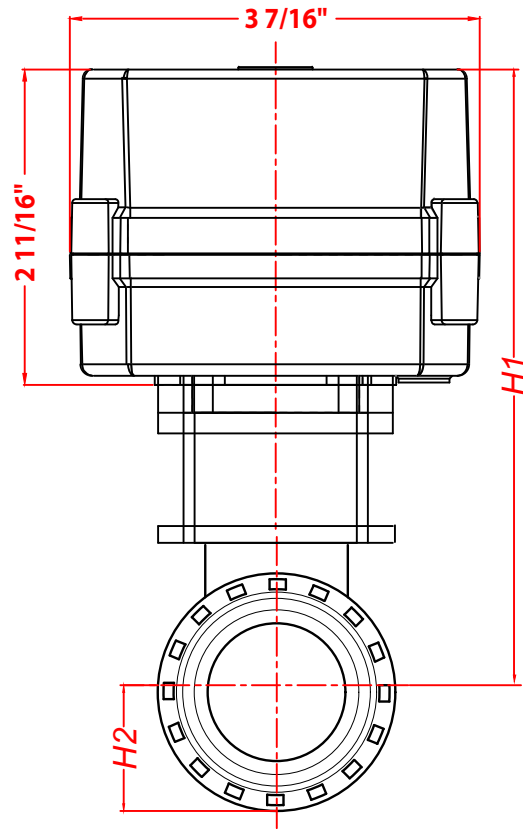
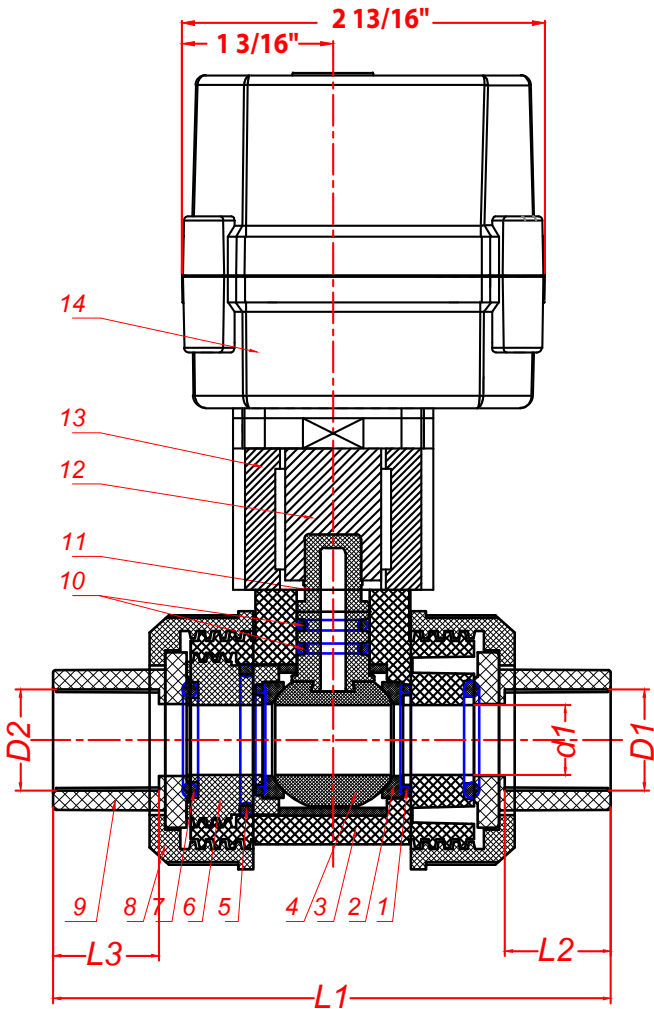
• When SW is open, the valve closed, the actuator automatically power off after in place \* Suitable

Working Voltage: **AC/DC 9-24V , DC/AC 110V-230V \***

Exceeding the working voltage is forbidden

# 2 Way

SIZES 1/2" THROUGH 2"



14	Actuator	PPO		1
13	Holder	stainless steel	304	1
12	Coupling	stainless steel	304	1
11	Stem	UPVC		1
10	O-ring	EPDM/VITON		2
9	Socket	UPVC		2
8	Gland	UPVC		2
7	O-ring	EPDM/VITON		2
6	Bonnet	UPVC		2
5	O-ring	EPDM/VITON		2
4	Ball	UPVC		1
3	Valve body	UPVC		1
2	Sealing	PTFE		2
1	O-ring	EPDM/VITON		2
No.	NAME	Material	Specification	Quantity

Size	D1/D2	d	L1	L2/L3	H1	H2
1/2"	1/2"	9/16"	4 1/8"	7/8"	5 1/8"	1 1/16"
3/4"	3/4"	1 3/16"	4 7/16"	1"	5 5/16"	1 1/4"
1"	1"	1"	5"	1 1/8"	5 3/4"	1 1/2"
1-1/4"	1 1/4"	1 1/4"	5 9/16"	1 1/4"	6 3/16"	1 11/16"
1-1/2"	1 1/2"	1 9/16"	6 3/16"	1 3/8"	6 7/16"	2"
2"	2"	2"	6 7/8"	1 7/16"	7 1/4"	2 5/16"